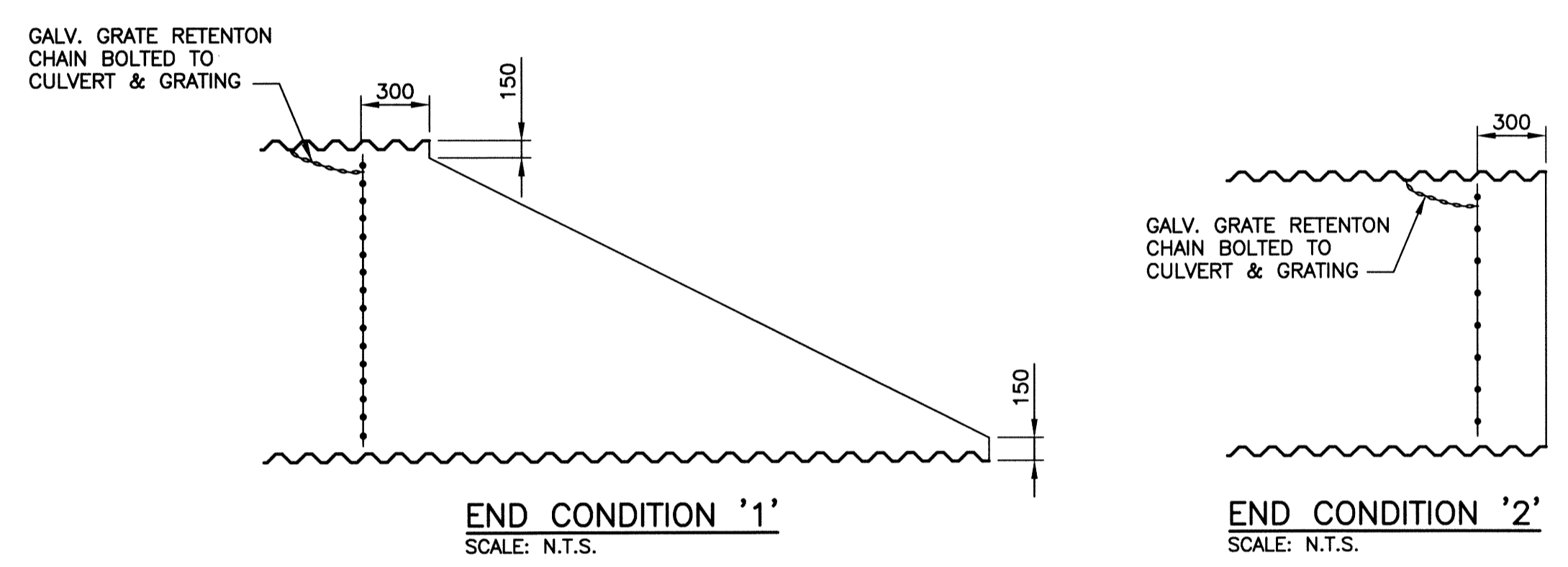


SECTION C-C
SCALE: N.T.S.

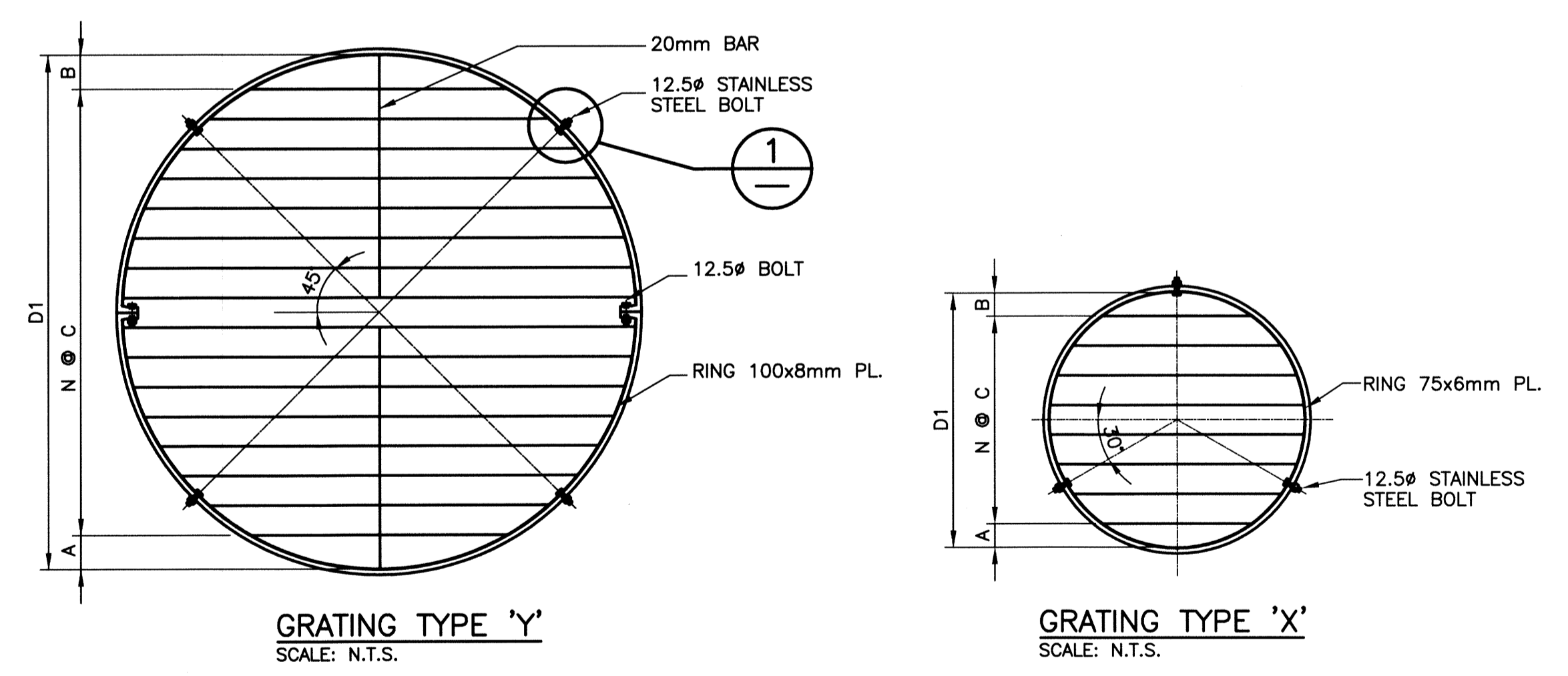
ISOMETRIC DETAIL
SCALE: N.T.S.

SILT FENCE DETAILS



END CONDITION '1'
SCALE: N.T.S.

END CONDITION '2'
SCALE: N.T.S.



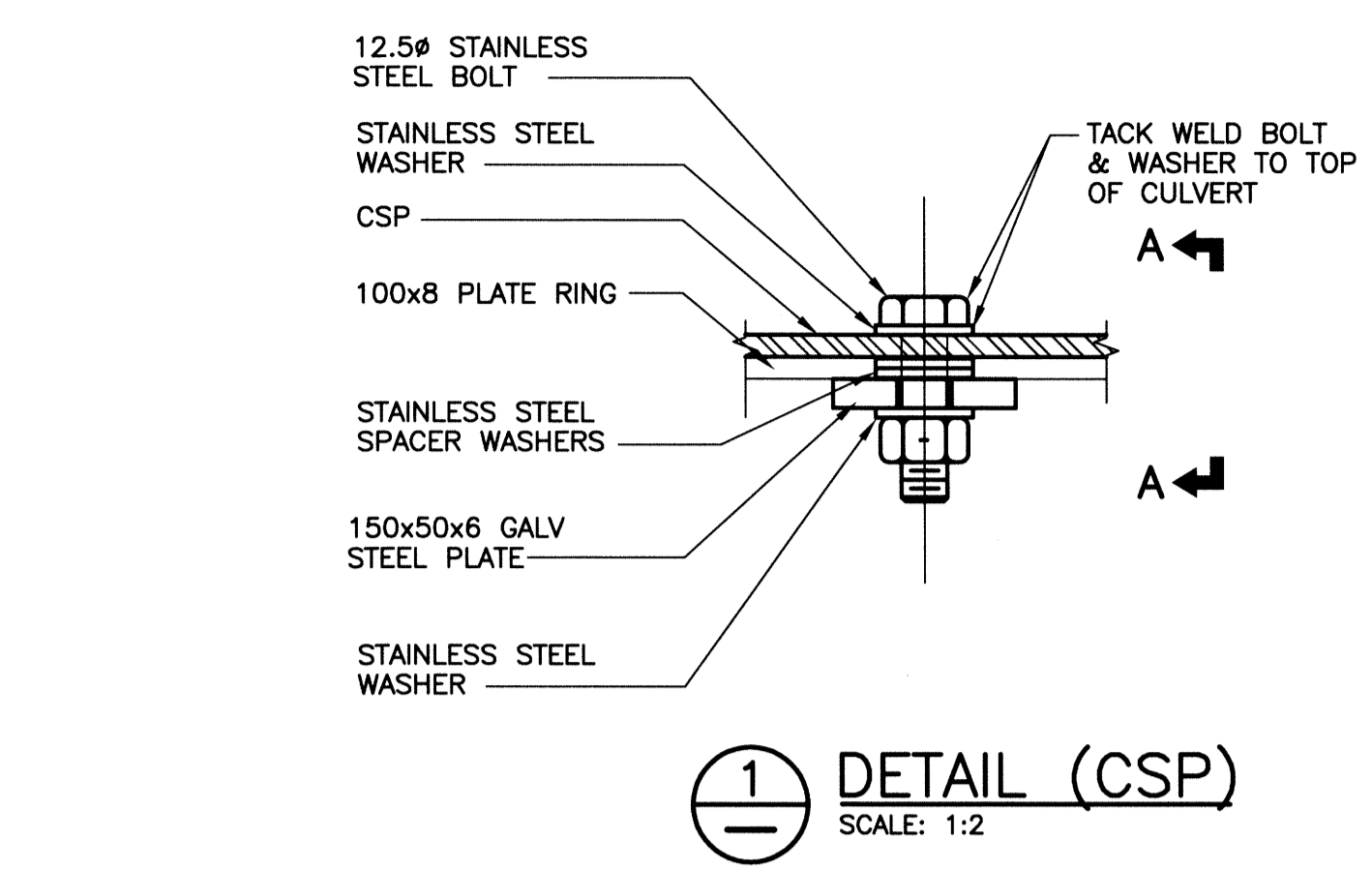
GRATING TYPE 'Y'
SCALE: N.T.S.

GRATING TYPE 'X'
SCALE: N.T.S.

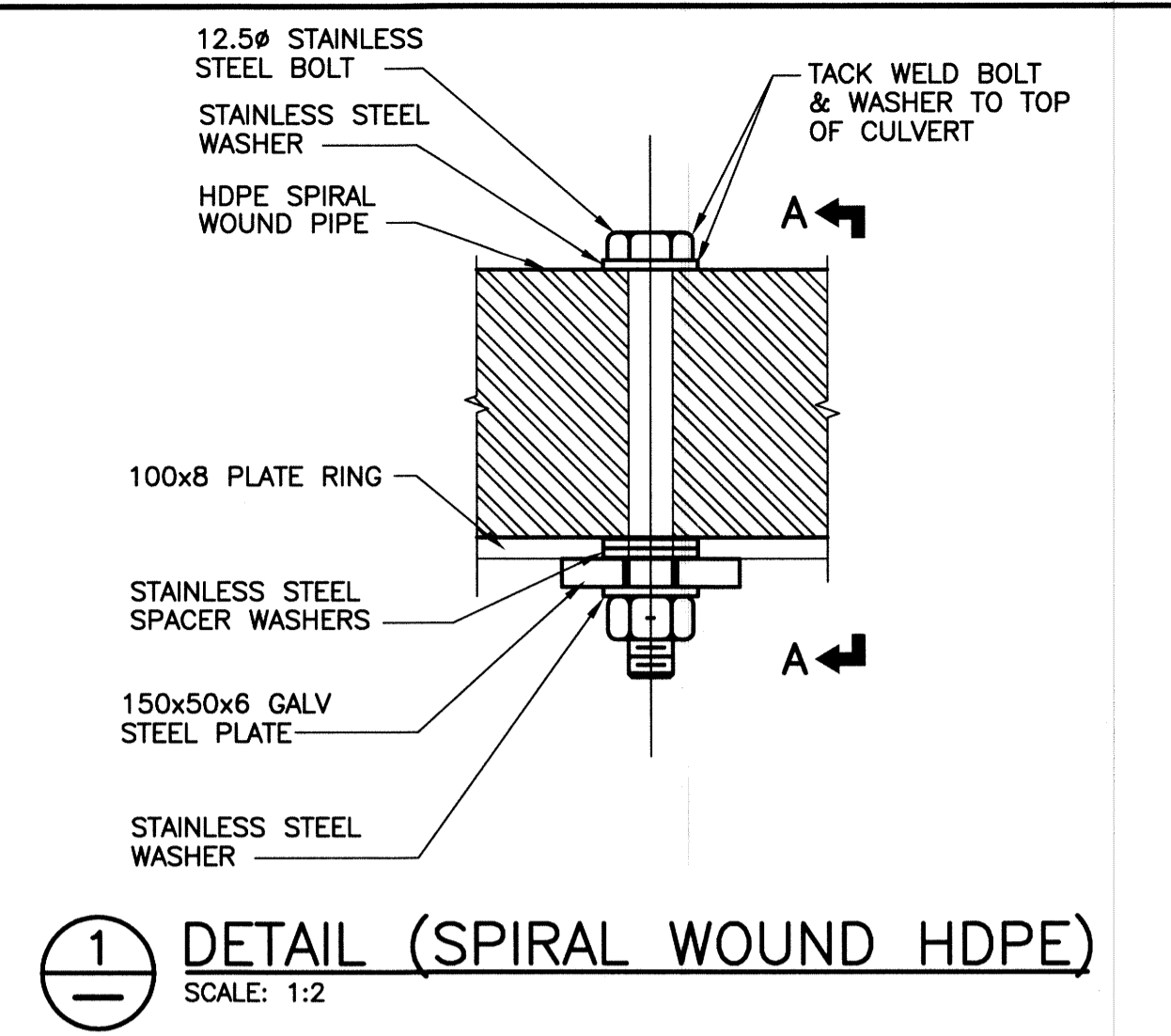
LOCATION	PIPE		END CONDITION	GRATING						
	DIAMETER D	MATERIAL		DIAMETER D1	TYPE	BAR DIA.	A	B	C	N
CORNISH (AS-88)	1067	HDPE	1	1035±	X	20	150	135	150	5
MARIAN (RR-52)	1800	CSP	2	1794±	Y	20	159	150	135	11
CLIFTON (AS-75)	2400	CSP	1	2385±	Y	25	145	140	150	14

- NOTE:
 1. ALL PLATES AND BARS TO BE CSA G40.21-300W.
 2. ALL COMPONENTS TO BE GALVANIZED.
 3. ALL BOLTS TO BE TYPE 316 STAINLESS STEEL CONFORMING TO ASTM A320 GRADE B8M

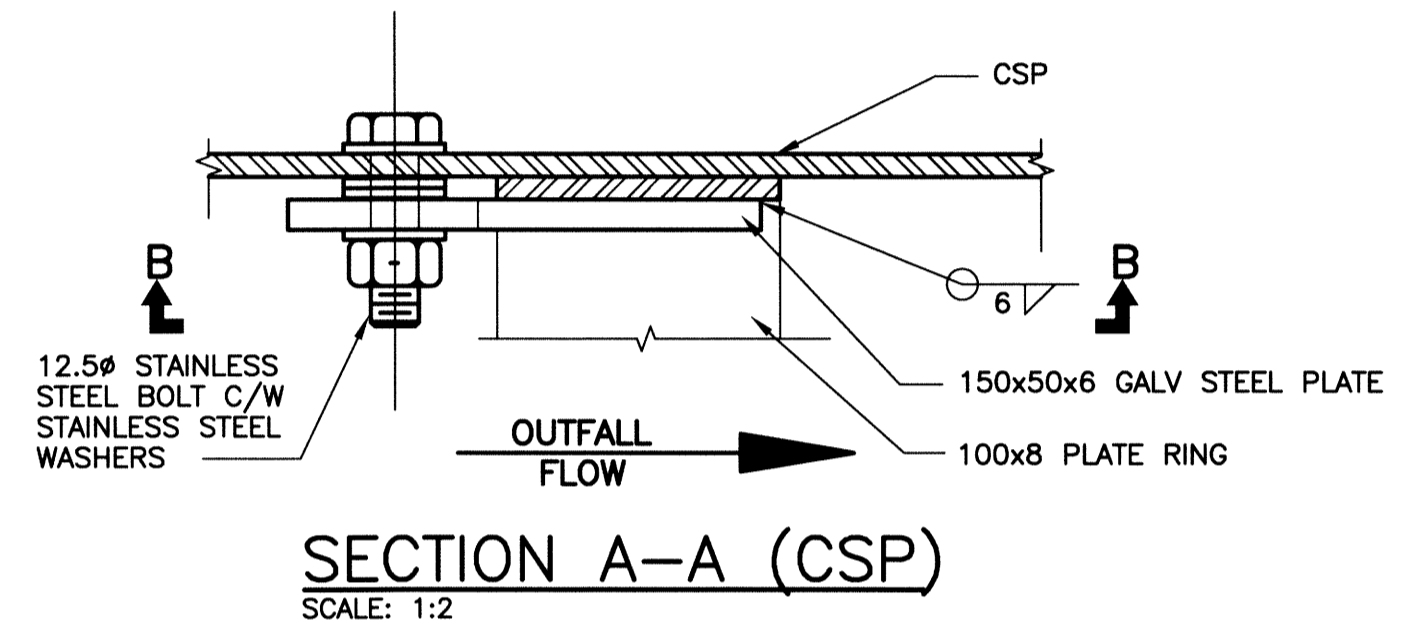
STANDARD GRATING AND END CONDITION DETAILS



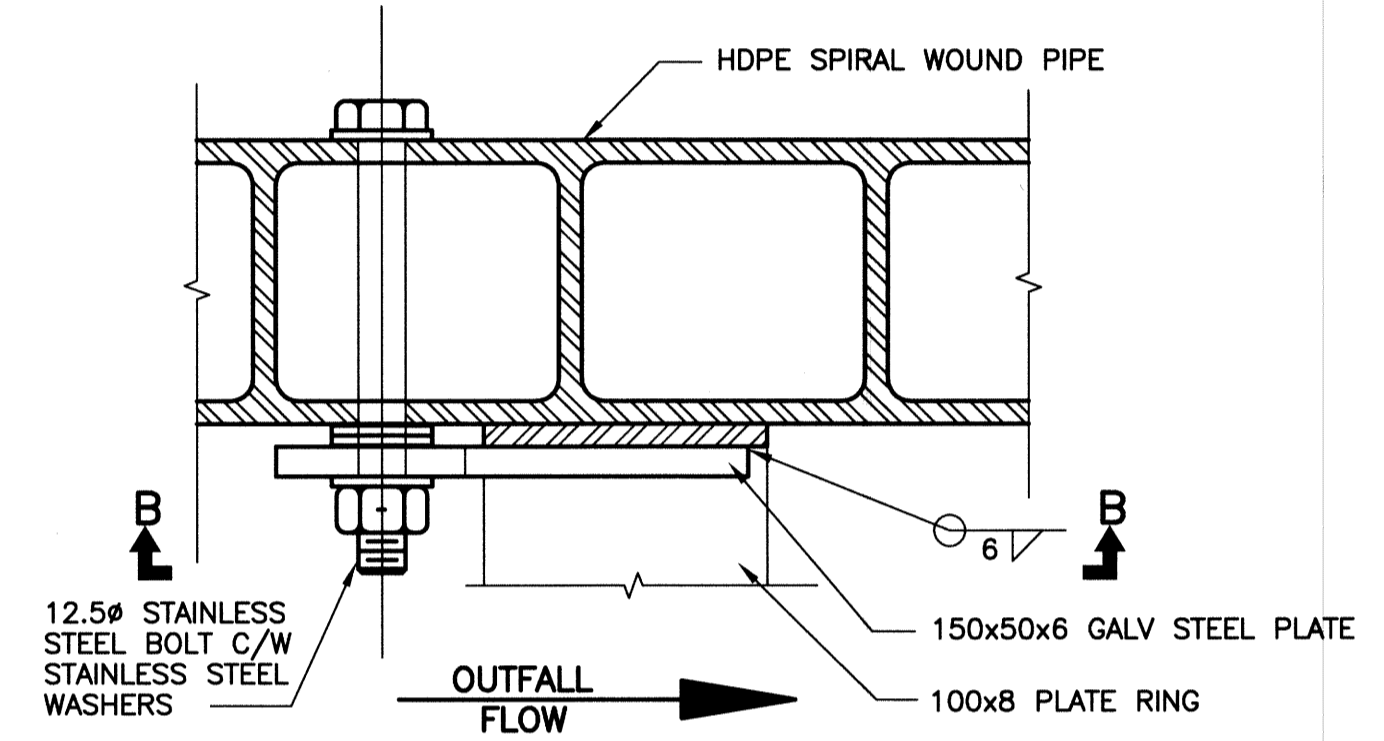
1 DETAIL (CSP)
SCALE: 1:2



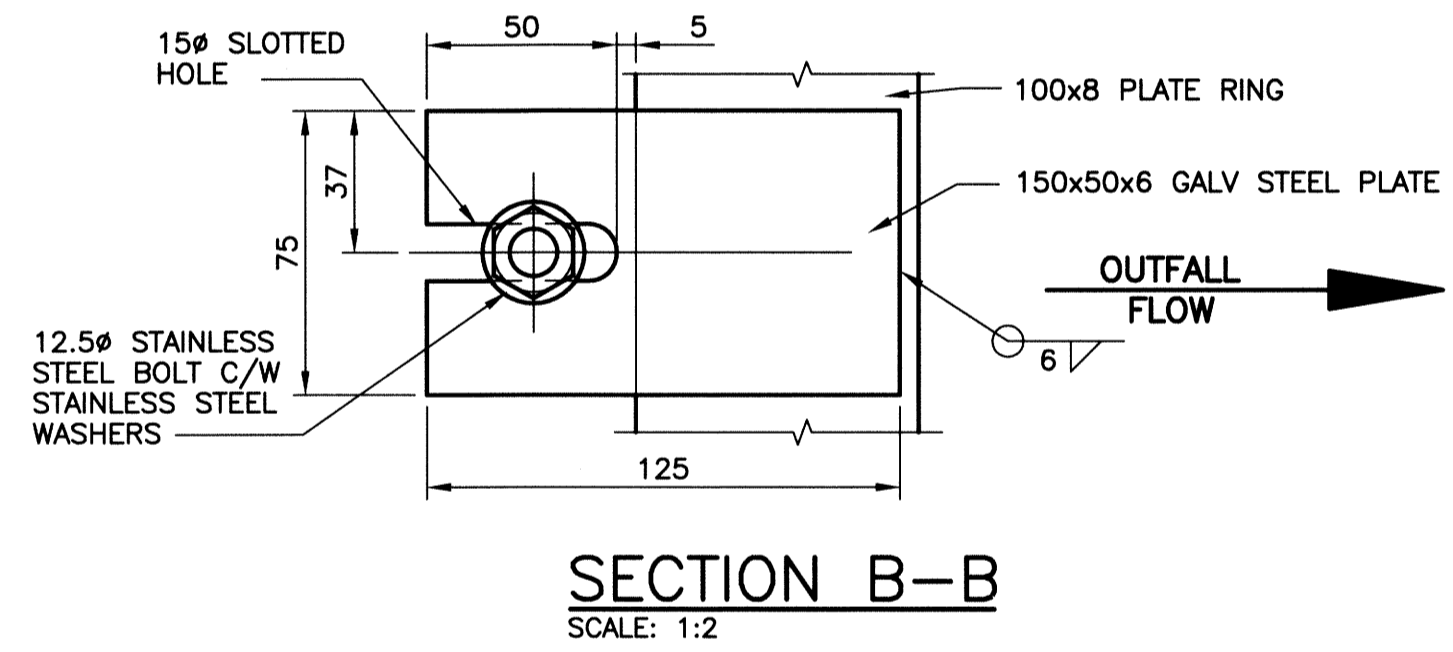
1 DETAIL (SPIRAL WOUND HDPE)
SCALE: 1:2



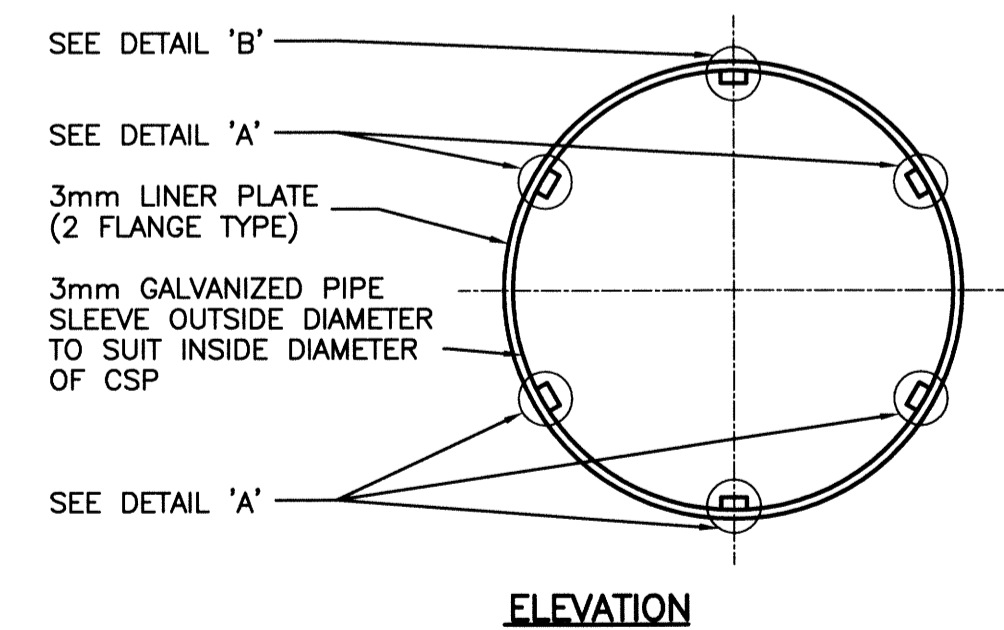
SECTION A-A (CSP)
SCALE: 1:2



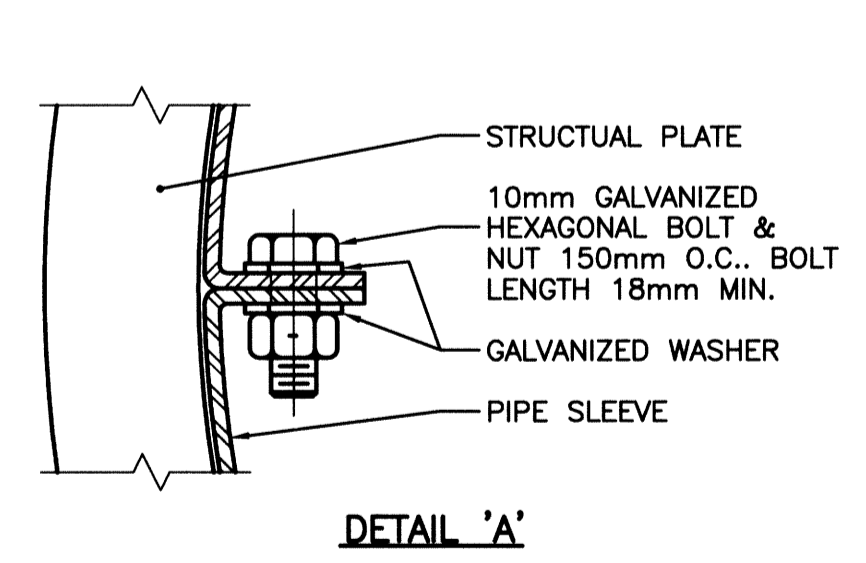
SECTION A-A (SPIRAL WOUND HDPE)
SCALE: 1:2



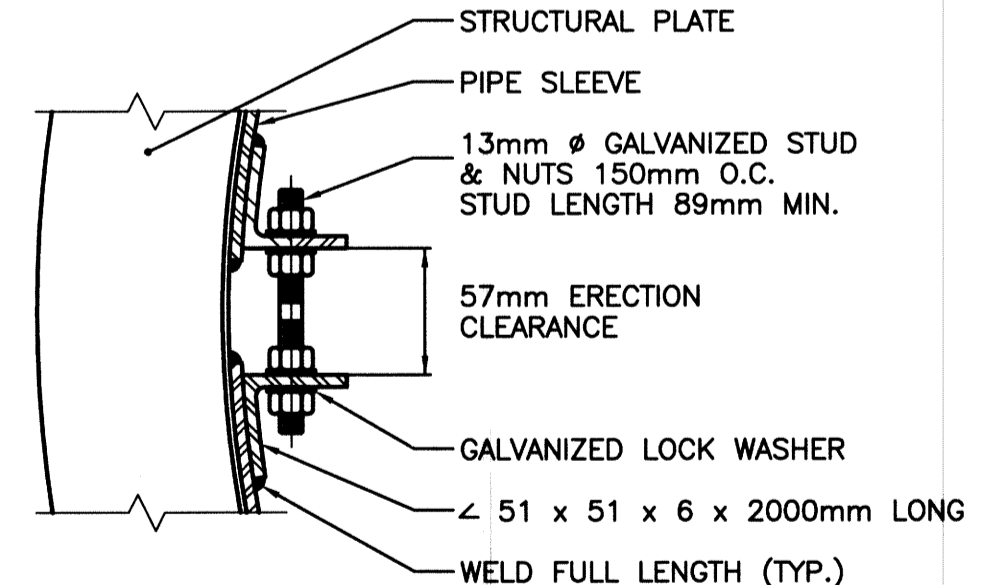
SECTION B-B
SCALE: 1:2



ELEVATION



DETAIL 'A'



DETAIL 'B'

INTERNAL SLIP JOINT DETAILS
SCALE: N.T.S.

LOCATION APPROVED UNDERGROUND STRUCTURES

SUPV. U/G STRUCTURES COMMITTEE	DATE

NOTE:
 LOCATION OF UNDERGROUND STRUCTURES AS SHOWN ARE BASED ON THE BEST INFORMATION AVAILABLE BUT NO GUARANTEE IS GIVEN THAT ALL EXISTING UTILITIES ARE SHOWN OR THAT THE GIVEN LOCATIONS ARE EXACT. CONFIRMATION OF EXISTENCE AND EXACT LOCATION OF ALL SERVICES MUST BE OBTAINED FROM THE INDIVIDUAL UTILITIES BEFORE PROCEEDING WITH CONSTRUCTION.

B.M. ELEV.			

KGS GROUP CONSULTING ENGINEERS & PROJECT MANAGERS
 WINNIPEG (204) 896-1209
 THUNDER BAY (807) 345-2233

DESIGNED BY: RBO	CHECKED BY: RJH
DRAWN BY: GEL	APPROVED BY:
HOR. SCALE: AS NOTED	RELEASED FOR CONSTRUCTION:
VERTICAL:	DATE:

ENGINEER'S SEAL
 R.B. OFFMAN
 Member 24701
 PROFESSIONAL ENGINEER

THE CITY OF WINNIPEG
 WATER & WASTE DEPARTMENT

2012 OUTFALL RENEWAL/REHABILITATION PROGRAM

MISCELLANEOUS DETAILS

SHEET 9 OF 9
 CAD FILE DRAWING NUMBER: DETAIL PLOT
 CITY DRAWING NUMBER: LD-6954

File Name: P:\Projects\2012\12-0107-013\DocControl\Tobias\DWG\12-0107-013-LD-6954-Rev 0.dwg - Tab: LD-6954-Rev 0.dwg - Thu 11:57am
 CONVEGEND